

Big Air *inc.*

PYLONS · TOWERS · ACCESSORIES

www.bigairwaketowers.com

H₂O Tower Quick Guide

(read installation manual before installing)

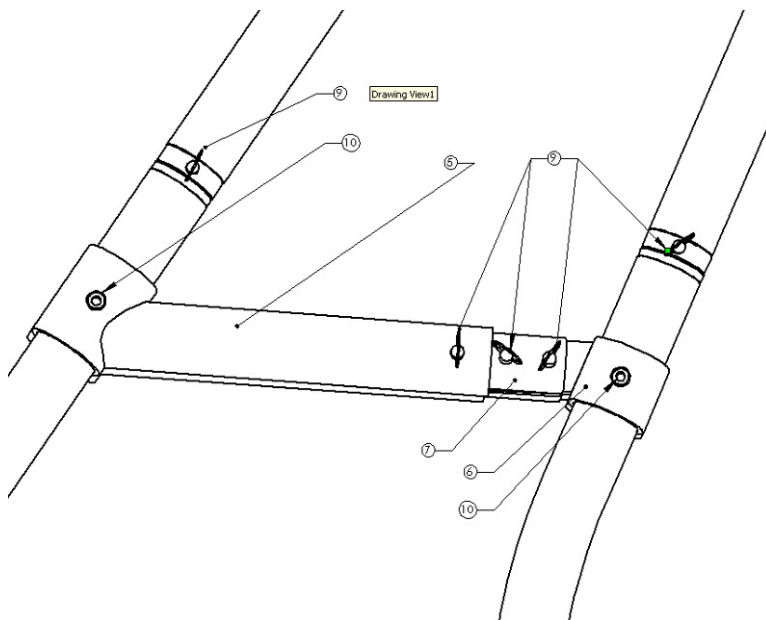
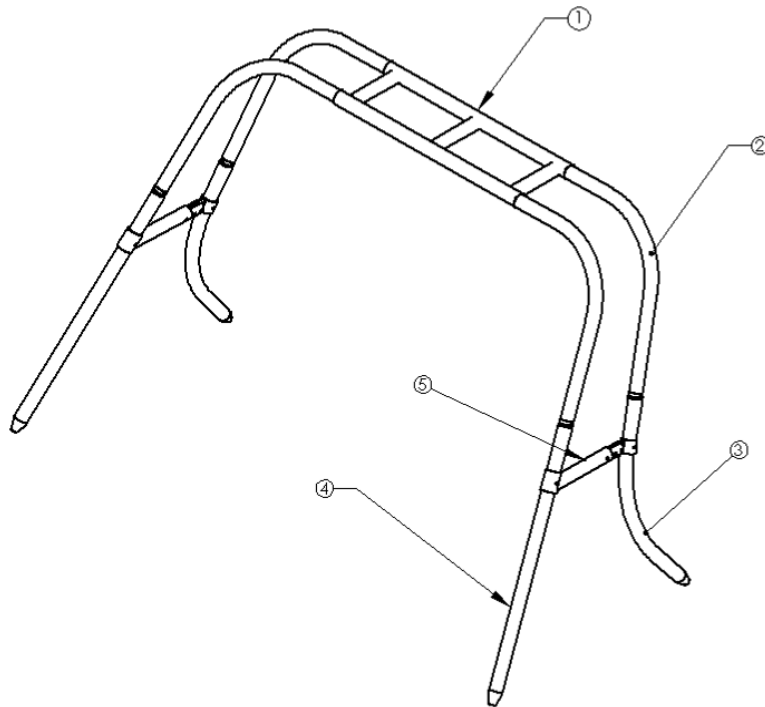
(Rev A)

**Big Air Pylons Inc.
5305 Robert Lee Rd
Duncan, OK 73533
580-252-5314**

**Toll free: 855-252-5314
www.bigairwaketowers.com**

Required Tools:

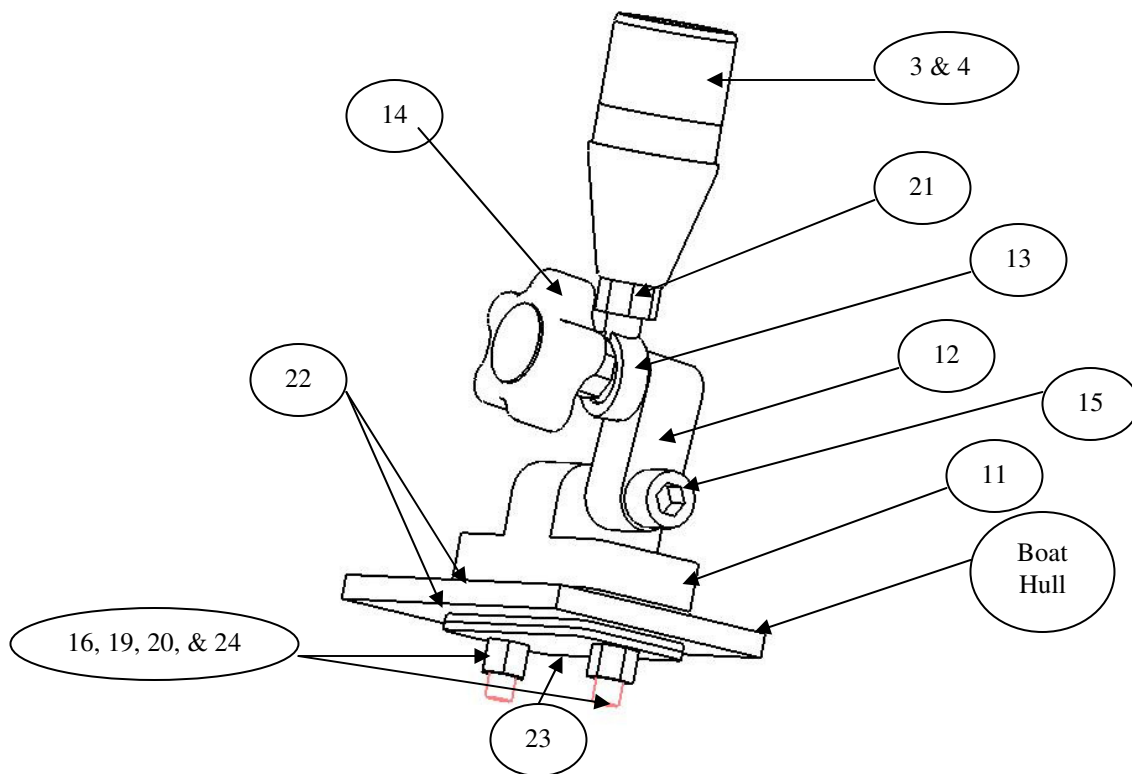
Level, Tape measure, Variable Speed Drill , 3/8" Drill bit , 5/16" Drill bit (We suggest Cobalt or Titanium), 9/16" and 1/2" wrench, 3/8", 5/16" and 3/16" allen wrench, Mounted grinding ball/stone



PART	QTY	NAME
1	1	H MEMBER
2	4	CORNER
3	2	BACK LEG
4	2	FRONT LEG
5	2	T-BRACE
6	2	COLLAR
7	2	STRUT
8	1	HEAD
9	10	DETENT PINS 5/16 X 2-1/2
10	12	BOLT
11	4	BASE
12	4	SWIVEL
13	4	HEIM JOINT
14	4	KNOB 1/2" x 1-1/2
15	4	1/2 X 2" BOLT
16	8	3/8 X 2" BOLT
18	12	5/16 NUT
19	8	3/8" FLAT WASHER
20	8	3/8 NUT
21	4	1/2" NF Nut
22	8	gasket
23	4	backer plate
24	8	3/8 lock washer
25	1	3/8 x 3" bolt

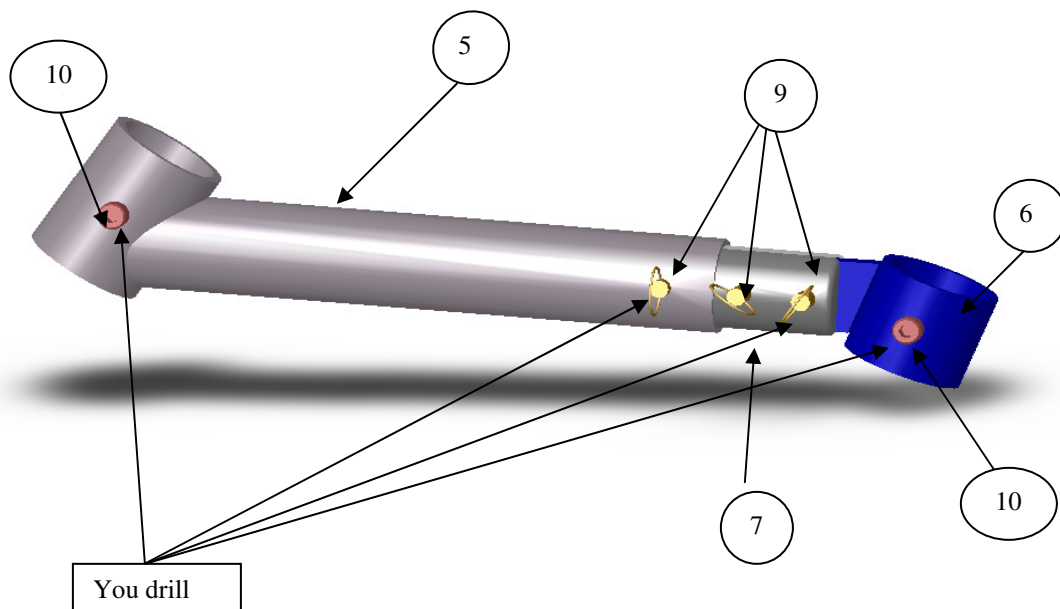
ASSEMBLY

1. Find the mounting locations with a 42 to 45 inch stance (at the centers of the base plates) from front mount to back mount.
2. Place a base plate at one of the front mounting locations and use a pin or marker to mark through the holes on the base plate and onto your boat. Measure back 42 to 45 inches, making sure to stay parallel with the boat trim line. Repeat on opposite side of boat.
3. Drill holes using a 3/8" drill bit and drill through the side of the boat **running the drill in reverse**. Chamfer holes using a mounted grinding ball/stone found at most hardware stores.



4. Assemble mounts as shown in image above. (Make sure to follow detailed installation and instructions manual)
5. Assemble the tower on the ground as shown on page 2. (Make sure to follow detailed installation and instruction manual) Make sure to do this assembly on a soft surface such as a blanket or grass, so as not to scratch the tower.
6. Place the tower head onto the tower over the 3/8" hole in the center of the H-member and thread in the 3/8"x 3" bolt through the hole. Make sure to lubricate the threads to prevent galling. Tighten to 14 ft-lbs torque.
7. Now with the help of at least one other person (we recommend 2 extra people), lift the tower onto the boat and attach the heim joints to the base swivels using the black knobs.

8. Adjust the tower until the H-member is parallel to the floor of the boat (this can be done using a level and making sure that the bubble is the same when on the floor and when on top of the H-member). We recommend that you secure the center of the H-member to the front of the boat with a rope or strap to help ensure that stays in place and movement is minimal.
9. Now make sure that the H-member is centered side to side on the tower, do this by measuring to each side of the tower from the H-member. *(Note: we recommend pulling the corners into the H-member with a ratchet strap. This helps preload the tower. You can do this by looping a ratchet strap around the two rear legs and pulling them towards each other into the H-member and doing the same thing with the front legs.)*



T-brace Assembly 1 (above)

10. Place the cross brace **4–8 inches** below the connection pin on the front leg. This will ensure that you don't drill through leg connectors.
11. Drill T-brace and collar as shown in above image. (Make sure to follow detailed installation and instruction manual)
12. On the H-member drill through each side using the supplied bit (5/16"), through the pilot holes. There are to be 8 bolts securing the H-member. Each is to be drilled as described above. Complete each finished hole by inserting a 2-1/2" long 5/16 bolt and securing a nut to it. Note: Use a thread locker such as blue loctite on the threads. Torque to 25 ft-lbs.

13. Check all bolted connections and handles to make sure the tower is secure. The tower is now ready for use.

To lay the tower down:

1. Unthread the knobs through the front 2 heim joints.
2. Allow the tower to lie down to the back of the boat.
3. Pull the 3/8" pin holding each front leg in place.
4. Pull the 3/8" pins out of the cross brace strut.
5. Pull the 3/8" pin on the main shaft of each cross member.
6. You should now be able to remove the front legs.
7. Reassemble in the reverse order.

